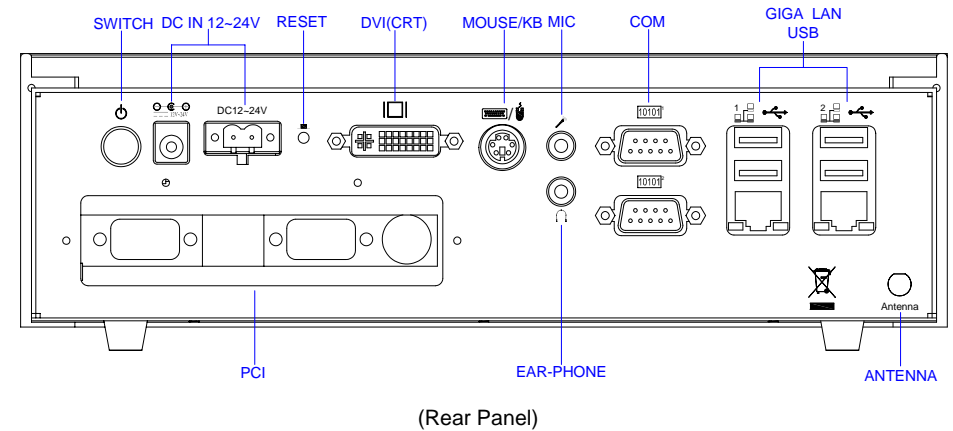
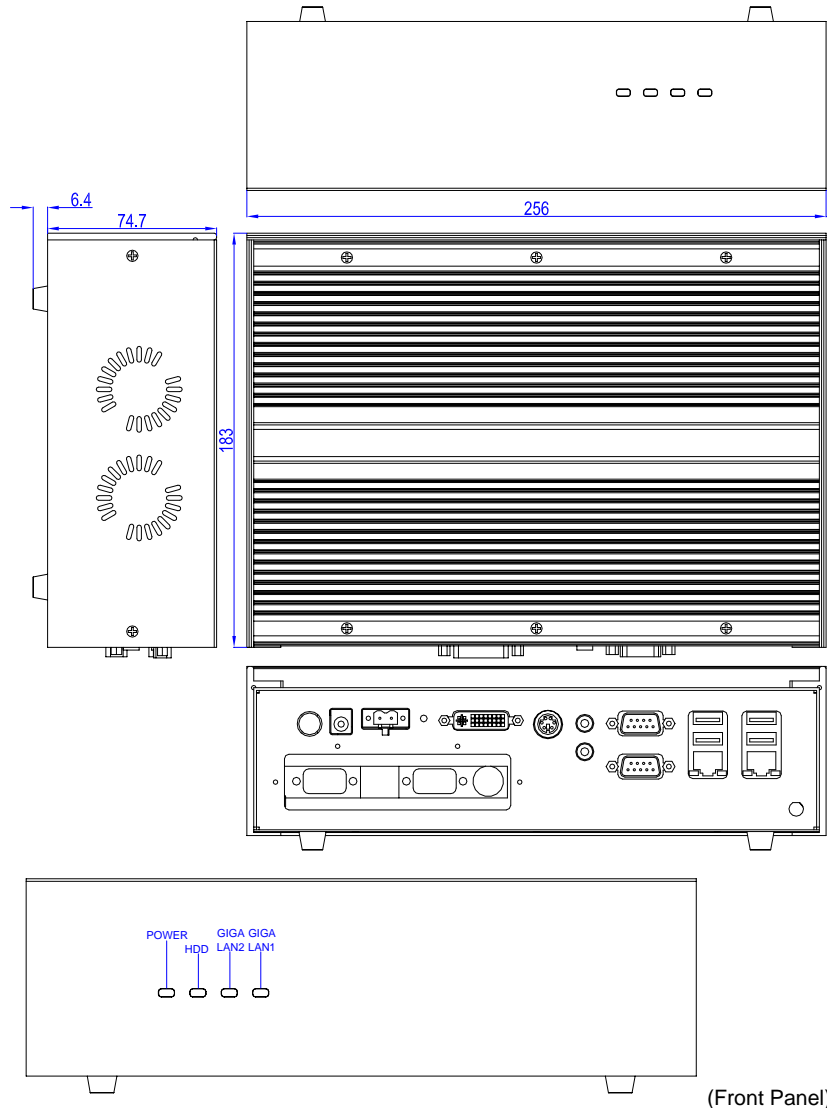


1. Brief

The FX5632x is a compact size embedded system with Intel Pentium-M/Celeron-M processor board inside. This user's quick reference provides the I/O outlets description and their pin assignment.

2. Dimensions (in mm) and Front/Rear Panel Information



3. Packing List

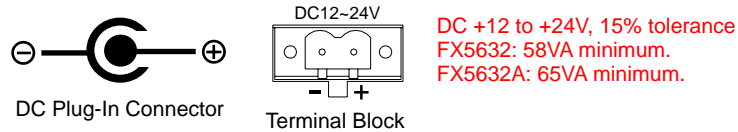
- 1 FX5632x embedded system.
- 1 AC to DC power adapter and 1 AC power code cable.
- 1 3-end keyboard and mouse adapter cable.
- 1 DVI to CRT adapter cable.
- 1 pack of 2.5" hard disk installation kit with fixed screws and a 2-pin apartable terminal block.
- 1 compact disc includes software utility and 1 hard copies of this quick reference.

4. Features

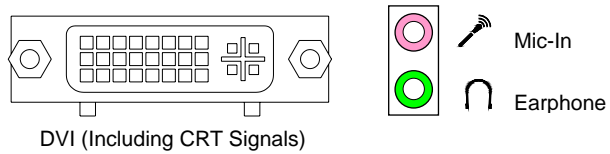
- * **Processor Board**
Intel Pentium-M or Celeron-M processor with 512MB DDR-RAM.
- * **I/O Outlets**
Two 10/100/1000 base-TX Ethernet ports.
4 USB, 2 RS-232, and PS/2 compatible keyboard/Mouse ports.
1 mini-PCI socket for mini-PCI I/O modules, especially for WLAN modules with Antenna fix hole.
1 DVI connector with CRT signals and 2 Audio connectors for Earphone and Microphone.
1 free PCI slot for Add-On cards.
1 DC-In jack connector/terminal block with 1 power and 1 reset push button switches.
1 power LED, 1 HDD/CF access LED, and 2 LAN LEDs.
- * **Storage Bay**
1 CompactFlash slot with ejector.
One 2.5" hard disk space.
- * **Power requirement**
FX5632: +12 ~ +24V DC with 15% tolerance, 34VA maximum with 2.5" HDD & 19V input voltage.
FX5632A: +12 ~ +24V DC with 15% tolerance, 42VA maximum with 2.5" HDD & 19V input voltage.
- * **Dimensions**
183mm(D) x 256mm(W) x 75mm(H)

5. I/O outlets and LED Indicators

A. Power Connector

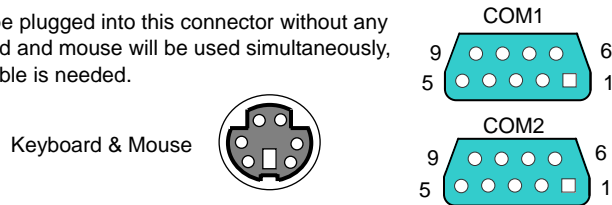


B. DVI and Audio/Video Connectors

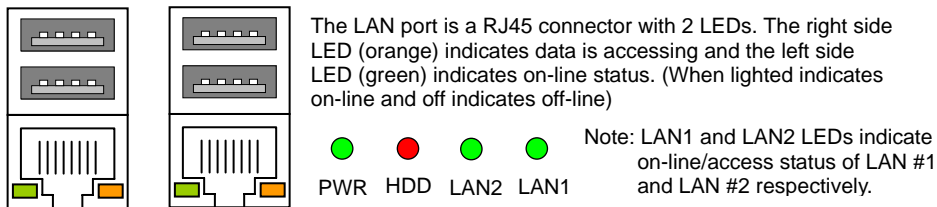


C. Keyboard/ Mouse and Serial Port Connectors

Standard PS/2 keyboard can be plugged into this connector without any adapter cable. If PS/2 keyboard and mouse will be used simultaneously, the included Y-type adapter cable is needed.



D. USB/LAN Connectors and LED Indicators (RJ45)

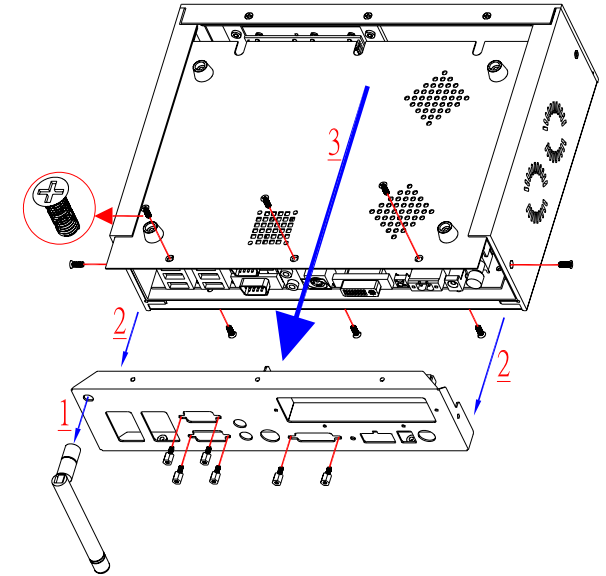


6. Software Configuration and Driver Installation

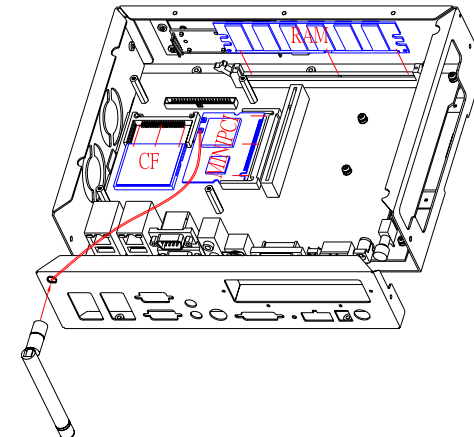
Please refer to the driver installing documentaion in the included Compact Disc for installing what device driver you need. If you need to change the system settings or configurations of I/O ports, Please refer to the User's Manual (also in the included Compact Disc) for details.

7. Installing the CompactFlash Module, Memory Module, and mini-PCI Module with Antenna on FX5632x

Before installing the above modules, Please open the bottom cover and rear panel as the right figure shown:

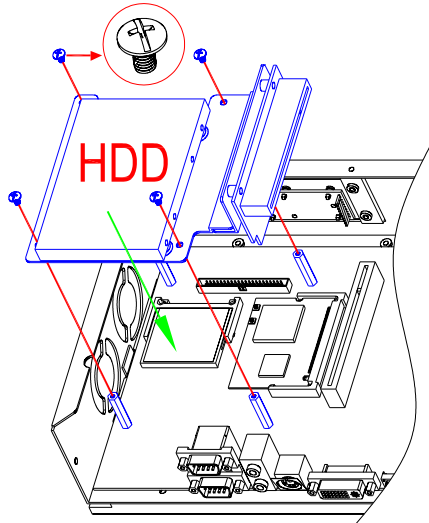


- Step 1: Release total 14 screws including 6 hexagonal screws on 2 D-sub and DVI connectors.
- Step 2: Take off the wireless Antenna if it has been installed.
- Step 3: Take off the rear panel and then the bottom cover.
- Step 4: Install CompactFlash to the CF socket if necessary.
- Step 5: Change the DDR module if necessary.
- Step 6: Install mini-PCI module and wireless Antenna if necessary.
- Step 7: Close bottom cover, rear panel, and fasten all screws with reversed sequence.



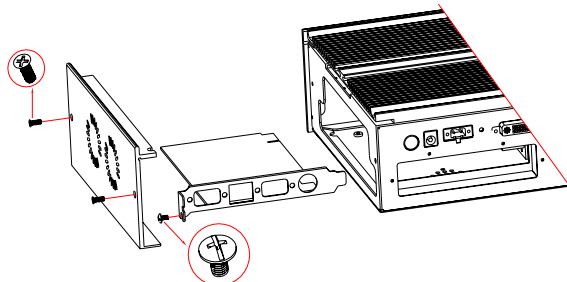
8. Installing 2.5" HDD into FX5632x

- Step 1: Open the FX5632x's bottom cover as description on section 7.
- Step 2: Take off the add-on card if it has been installed.
- Step 3: Release HDD holder and PCI riser slot by taking away 4 screws.
- Step 4: Combines 2.5" HDD with HDD holder.
- Step 5: Install 2.5" HDD with holder and PCI riser slot into FX5632x system
- Step 6: Install add-on card if it was taken on step 2.
- Step 7: Close the FX5632x's bottom cover as description on section 7.



9. Installing Add-On Cards into FX5632x

The right side figure will guide you how to install add-on card into the FX5632x. Please be noted that install the HDD before to install add-on cards.



- Step 1: Open the FX5632x's right side cover via take off 2 screws.
- Step 2: Take away the dummy bracket by loosen the bracket fixed screw.
- Step 3: Install add-on card to the PCI slot properly.
- Step 4: Combines add-on card bracket with FX5632x chassis by fasten the fixed screw.
- Step 5: Close the FX5632x's right side cover.